

EL-854N38I-E3

4MP Motorized Lens Face Detection Eyeball IP Camera



- 1/2.8" Sony STARVIS CMOS sensor
- H.265+ dual-stream encoding
- High-quality optical lens: 3.6-10.8mm
- 50m IR effective range
- Built-in PoE
- An embedded face detection algorithm
- Intelligent video analytics available
- Multiple web browsers supported
- Remote viewing with mobile application or VMS
- Lightning protection up to 6kV
- IP67 metal casing

System Overview

BioPro Series 4MP IP cameras provide a cost-efficient solution that is powered by cutting-edge technology for crystal-clear video monitoring.

With an embedded face detection algorithm, the camera supports White/Black-list event alarm deployment under different scenarios.

The BioPro series also offers multiple industry-leading intelligent video analytic functions, such as Face Detection, Line Crossing, Intrusion, Object Left/Lost, Counting, for smart event alarms.

The P2P cloud function is built-in for every device, which is more convenient and flexible for remote real-time viewing.

Functions

H.265+

H.265+ technology is an evolutionary optimization of H.265 and the traditional H.264. It includes a series of encoding strategies such as dynamic ROI, smart 2D&3D noise reduction for delivering high-quality videos, and significantly saving up to 70% bandwidth and storage.

Protection

With its precise mechanical and rugged metal casing design, IP cameras of the BioPro series rated IP67 could stand against water and dust for a long time.

With 10% of input voltage tolerance, the cameras could work safely under extreme or unstable power conditions.

With a working temperature range from -30°C to 60°C, the cameras could adapt to a variety of harsh outdoor environments.

Technical Parameters

Camera			
Model	EL-854N38I-E3	Flash / DDR	128Mb / 1Gb
Image Sensor	1/2.8" Sony STARVIS CMOS	IR LED No.	2
Effective Pixels	2592*1520	IR Distance	50m
Min. Illumination	Color: 0.1Lux@F1.7 (AGC ON) B/W: 0.001Lux@F1.7 (AGC ON)	S/N Ratio	>52dB
Lens			
Lens Type	Motorized	Aperture	F1.7~F3.3
Mount Type	Board-in	FOV	29.8°~93.5°
Focal Length	3.6mm -10.8mm	Optical Zoom	3X
Video			
Compression	H.265+, H.265, H.264	WDR	TWDR
Resolution	4MP (2592 x 1520) / 3MP (2304 x 1296) / 1080P (1920 x 1080) / 1.3MP (1280 x 960) / 720P (1280 x 720)	Day / Night	Support
Bitrate Control	CBR / VBR	White Balance	Support
Bitrate	1024Kbps ~ 4Mbps	Defog	N/A
Multi-Streaming	Main Stream: 4MP@25fps / 3MP@25fps / 1080P@25fps / 960P@25fps / 720P@25fps	Noise Reduction	2D/3D DNR
	Sub Stream: D1@25fps / VGA@25fps / CIF@25fps	Mirror/Flip	Support
	Third Stream: N/A	Corridor Mode	Support
Motion Detection	Support	HLC	Support
Digital Zoom	Support	BLC	Support
Audio Compression	G7.11u	ROI	4 areas
Privacy Mask	5 areas	Anti-flicker	Support
IVA			
Intelligent Video	Face Detection / Line Crossing / Area Detection / Target Count / Object Left / Lost / VQD / Video Tampering		
Face Detection			
Face Templates	N/A	Face Quality Filtering	Support
Face Detected Per Frame	30	Detection Area	User-defined
Detected Face Size	80x80 ~ 300x300 Pixels	Capture Response	≤1s

EL-854N38I-E3

Network

Protocol	TCP/IP, UDP, HTTP, DHCP, RTSP, NTP	Management Software (VMS)	AntarVis 2.0 ZKBioSecurity IVS ZKBioAccess IVS
Interoperability	ONVIF Profile S, SDK, API	Operation System	Windows
Max. Online Users	3	Mobile APP	AntarView Pro
Web Browser	IE / Firefox / Chrome / Safari	P2P Cloud Service	Support

Note: Video streaming is not available for Firefox / Chrome / Safari

Interface

Ethernet	1 RJ-45 port (10/100Mbps)	Reset Button	N/A
Audio I/O	1/0	Micro-SD Slot	N/A
Alarm I/O	N/A	ANR	N/A
RS485	N/A	USB	N/A

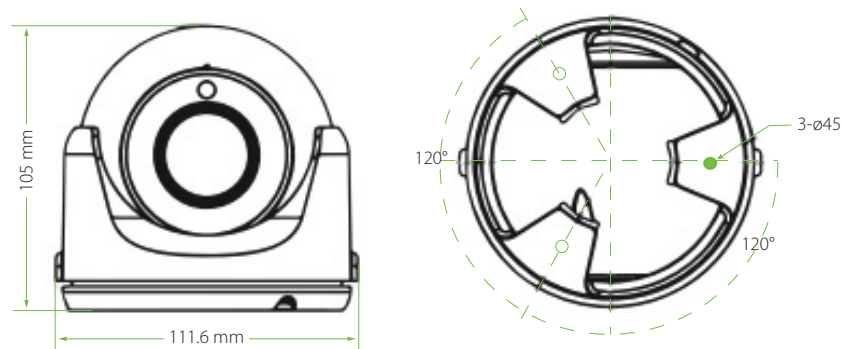
General

Power Supply	PoE (IEEE802.3af), DC 12V±10%	Working Temperature	-30°C ~ 60°C
Power Consumption	<3W	Working Humidity	10% ~ 90%
Ingress Protection	IP67	Net Weight	0.40kg
Dimensions	Φ111.6 * 105 (mm)	Gross Weight	0.64kg

Order Information

Camera	Model	Description
4MP Camera	EL-854N38I-E3	4MP Motorized Lens Face Detection Eyeball IP Camera

Dimensions (mm)



1600 Union Hill Road Alpharetta, GA 30005
Phone: (862) 505-2101 | Fax: (862) 204-5906 | info@zktecousa.com | www.zktecousa.com

© Copyright 2023. ZKTeco Inc. ZKTeco Logo and ZKTeco USA Logo have registered trademarks of ZKTeco or a related company. All other product and company names mentioned are used for identification purposes only and may be trademarks of their respective owners. All specifications are subject to change without notice. All rights reserved.